

# SLA

FACTORY ACTIVATED

SLA | READY TO START

REF **BT12B-4**



**12v** VOLTAGE - v

**210A** CCA - A (EN)

**10.5Ah** CAPACITY - Ah (20Hr)

**10Ah** CAPACITY - Ah (10Hr)

## TECHNOLOGY

- Designed according to AGM technology (Absorbed acid)
- VRLA battery type
- Activated and pre-charged batteries
- Homologated by OEM

## FEATURES

- AGM construction (Absorbed Glass Material)
- VRLA battery (Valve Regulated Lead Acid)
- Factory activated
- Environmentally friendly, spillproof design
- Multi-positional fitment
- Absolutely Maintenance free
- Sealed, no gas emission through venting hole (under normal operation)
- Ready & Easy to use
- No acid handling - Very safe
- Increased power & Extended life
- Extreme vibration resistance

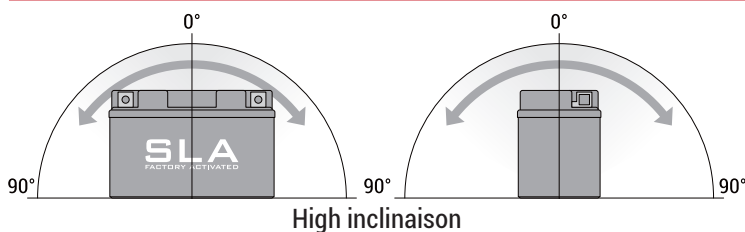
## UPGRADE FOR

MF BT12B-BS

## WEIGHT

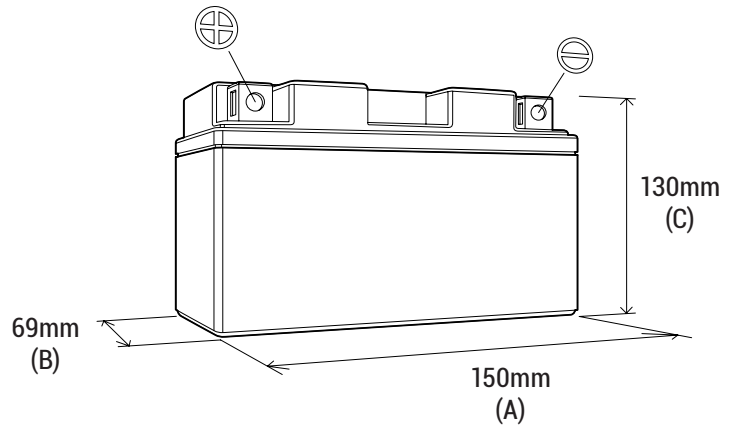
Battery (with acid): Approx 3.64kg

## MOUNTING ANGLE



## DIMENSIONS

Length (A): 150mm ±2mm  
 Width (B): 69mm ±2mm  
 Container height: 130mm ±2mm  
 Total height (C): 130mm ±2mm



## TERMINALS (mm)

